

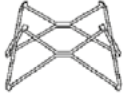




Nut

CONFIDENTE 4 PATAS - VISITEUR 4 PIEDS - VISITOR 4 LEGS FRAME BESUCHERSTUHL VIERFUSS-HOLZGESTELL - CONFIDENT 4 POTES

Each product contains

| Number | Picture | Quantity |
|--------|---|----------|
| ① |  | 1 |
| ② |  | 4 |
| ③ |  | 1 |
| ④ |  E | 2 |
| ⑤ |  F | 2 |

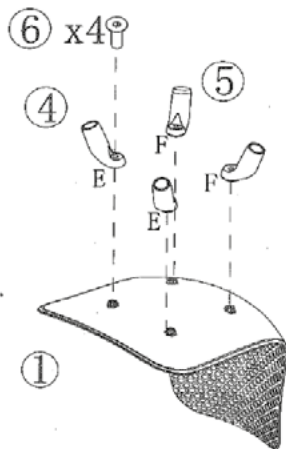
| Number | Picture | Quantity | Additional accessories |
|--------|---|----------|------------------------|
| ⑥ |  M6x16 | 4 | 1 |
| ⑦ |  | 4 | 1 |
| ⑧ |  M6x20 | 4 | 1 |
| ⑨ |  M6x40 | 4 | 1 |
| ⑩ |  | 4 | 1 |
| |  | X 1 | |
| |  | X 1 | |



Assembly instructions

1

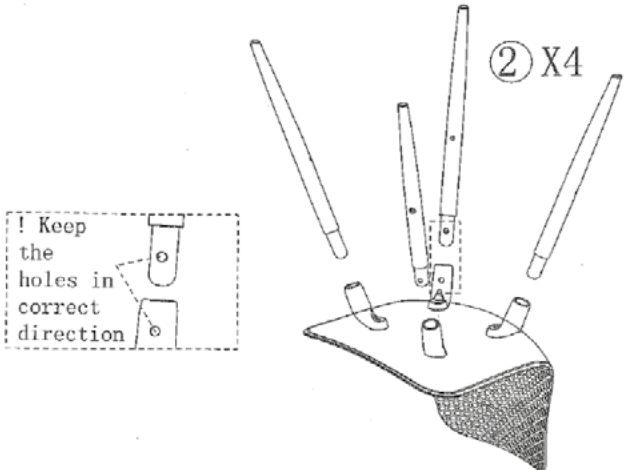
1. The plastic parts with E installed on the front, plastic parts F on the back, fixed them with screw (keep loose).



! The position of plastic parts E and F can not be confounded.

2

2. As shown in the picture, put 4 legs in the plastic parts accordingly.

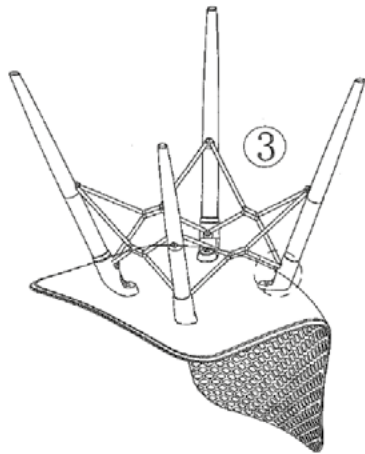


Nut

CONFIDENTE 4 PATAS - VISITEUR 4 PIEDS - VISITOR 4 LEGS FRAME BESUCHERSTUHL VIERFUSS-HOLZGESTELL - CONFIDENT 4 POTES

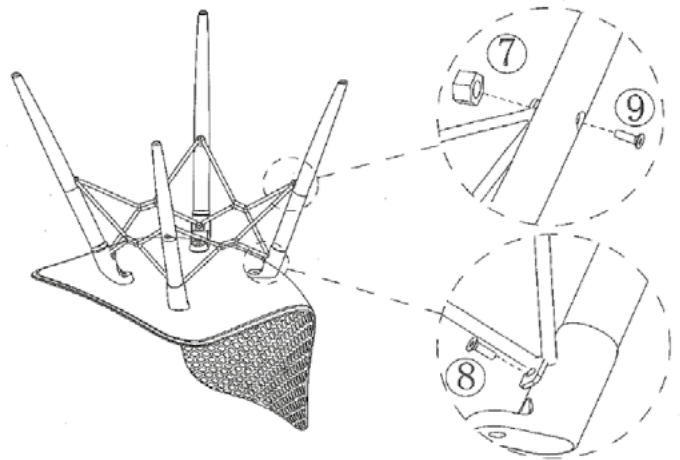
3

3. Put the steel frame in the position, as shown in the picture.



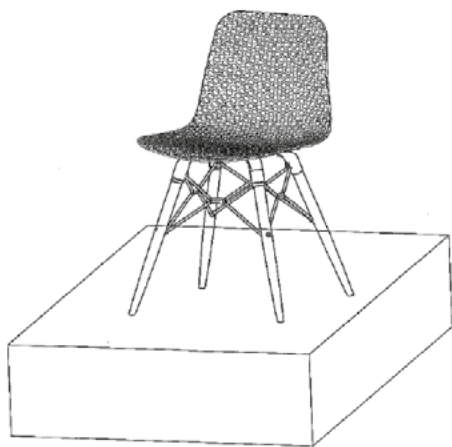
4

4. Tighten the screws with nuts



5

5. Adjust the 4 legs, and tighten all the screws.



6

6. Put the protect cap on the nut.

